

Traceable Vent Tube

The Enpro **Traceable Vent Tube** (TVT) is a patented highly engineered traceable vent tube.

When the TVT is used in conjunction with Enpro's **Vent Tube Detection System** (VTDS) all vent tube malfunctions are instantly detected.

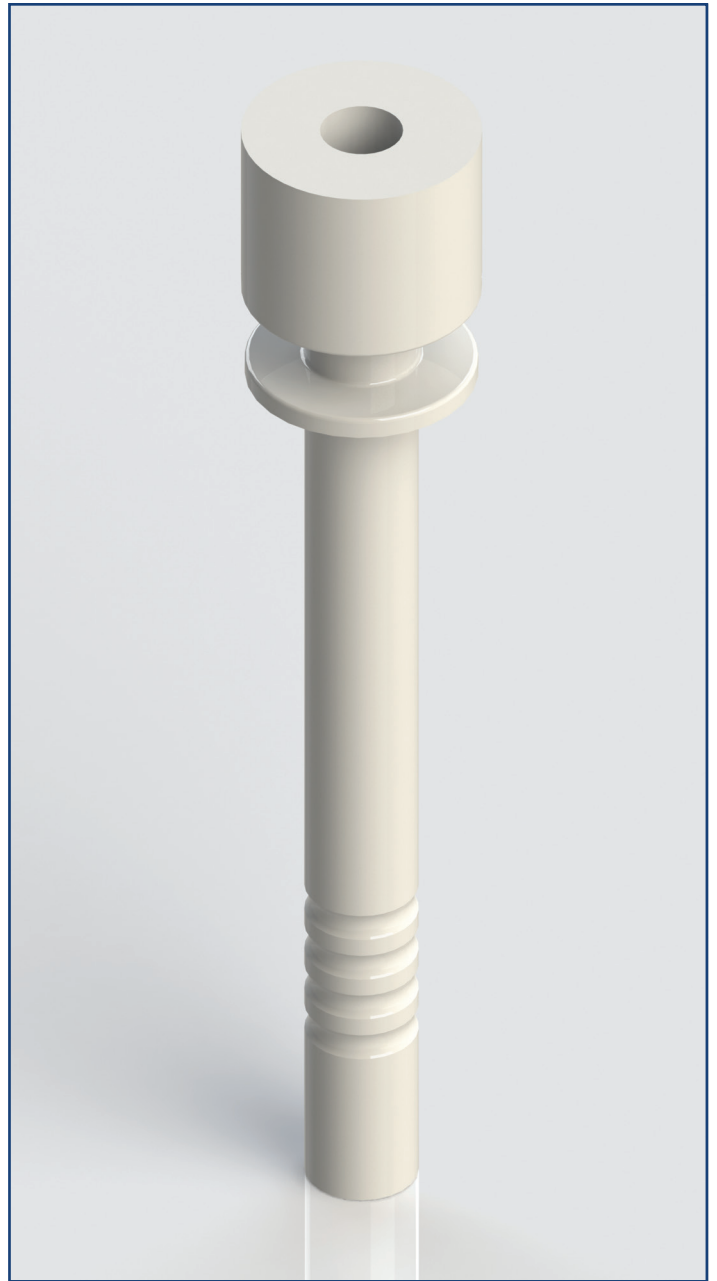
The TVT uses passive technology to communicate data, provide traceability, detect malfunctions or other custom information specified by the filling machine owner to the VTDS.

The TVT is constructed from food contact grade materials.

Specifications

- Operating temperature range from -30° F to +250°F and above
- FDA compliant materials
- Available in custom colors
- Available in custom lengths

Available TVTs

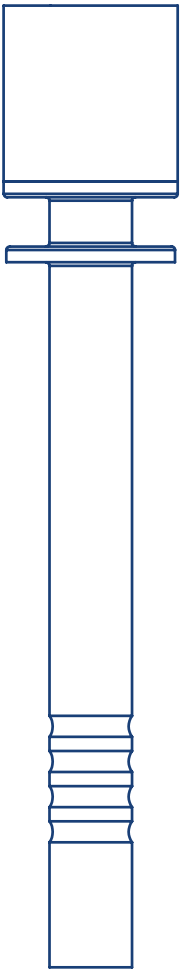


Made in America 

Specifications and information herein are subject to change without notice.

©Enpro, Inc. All Rights Reserved // REV9 011223

8 7 6 5 4 3 2 1



Customizations

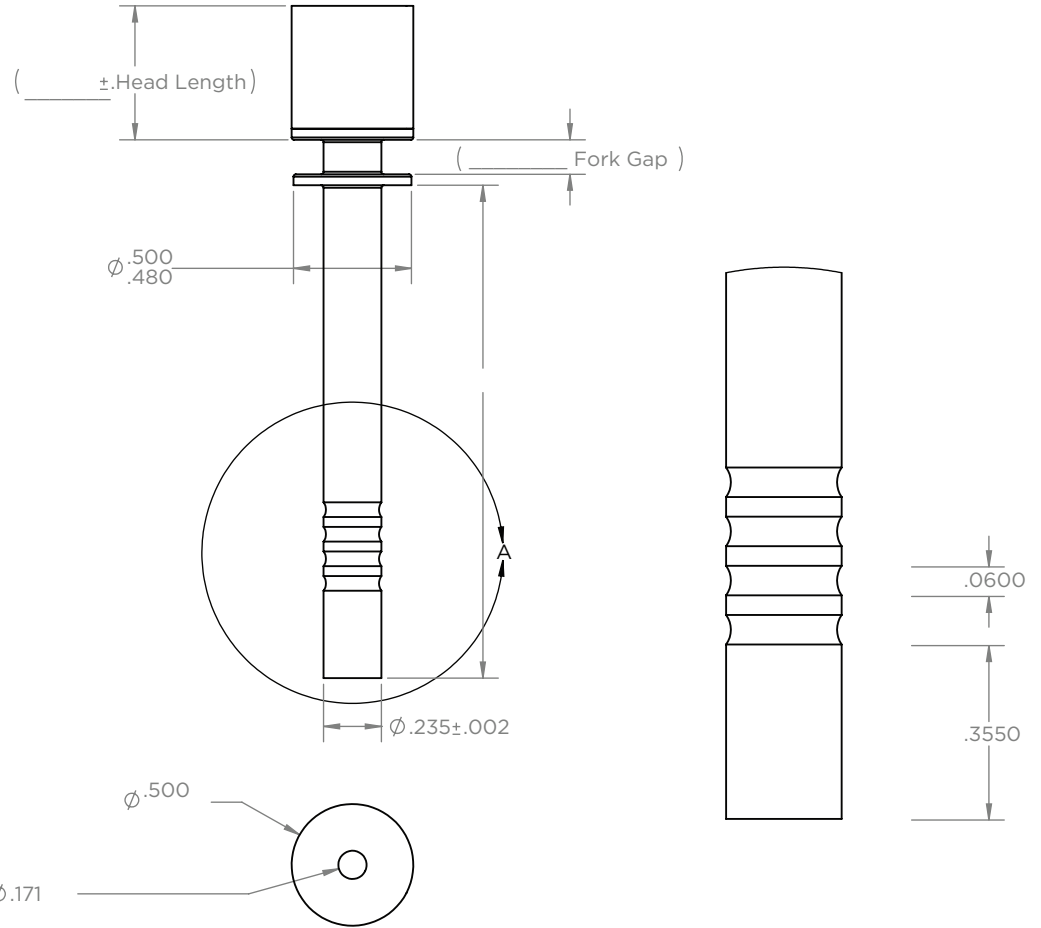
Please specify Head Length:

Please select desired Vent Tube Color:

- BLACK
- BLUE
- GREEN
- NATURAL
- ORANGE
- RED

Drawing of Vent Tube Approved By:

Name _____ Date _____



PROPRIETARY AND CONFIDENTIAL
 THE INFORMATION CONTAINED IN THIS DRAWING IS THE SOLE PROPERTY OF ENPRO INCORPORATED. ANY REPRODUCTION IN PART OR AS A WHOLE WITHOUT THE WRITTEN PERMISSION OF ENPRO, INC. IS PROHIBITED.

		UNLESS OTHERWISE SPECIFIED: DIMENSIONS ARE IN INCHES Machining Tolerance = +/- 0.003"		TITLE: TVT-A-XXX/001-TBD-XXX-XXX	
ENPRO INCORPORATED WWW.ENPROINC.COM		MATERIAL TBD		COMMENTS: Warranty will be voided if machining is done on vent tubes	
THIS DRAWING IS PROPERTY OF ENPRO INCORPORATED		FINISH		SIZE DWG. NO. B	
UPDATED : 3-2-15		DO NOT SCALE DRAWING		REV A	
				SCALE: 1:1 Date: SHEET 1 OF 1	

8 7 6 5 4 3 2 1