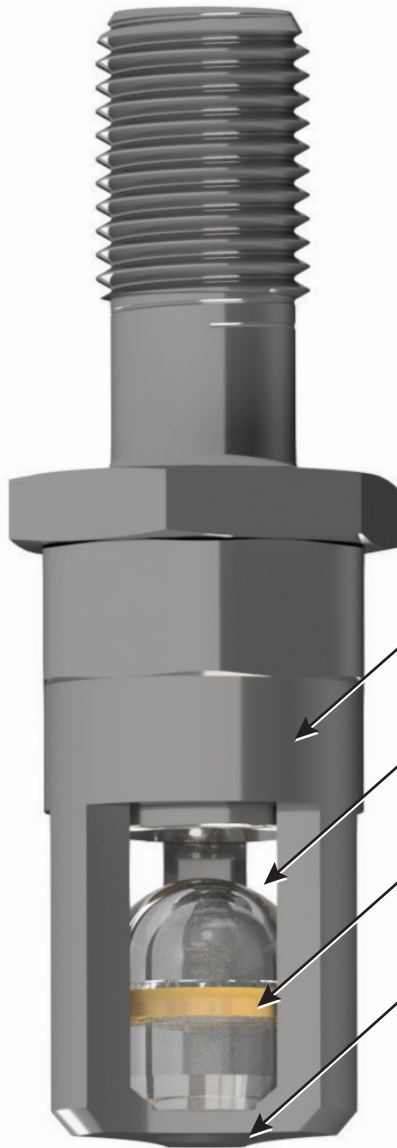


PATENTED TRACEABLE BALL CAGE ASSEMBLY



• STEAM-RESISTANT HIGH-TEMP EPDM O-RING

• FOOD GRADE POLYPROPYLENE OVERMOLD

• 13.56 Mhz RFID FOR USE WITH TRACEABLE READER SYSTEM

• CLOSED BOTTOM DESIGN FOR STRENGTH

**FOR INQUIRYS PLEASE CALL ENPRO
1-800-323-2416**

Made in America 